



DOCUMENTATION TECHNIQUE



PEUGEOT SPEEDFIGHT 3

MANUEL D'ATELIER (EN ANGLAIS)

WWW.50FACTORY.COM

INFO@50FACTORY.COM // 05 40 13 02 24



Sales division
Technical network leadership



TECHNICAL TRAINING



SPEEDFIGHT 

50 CC. 2 STROKE

P/N SF3.001.03/2009.GB



TABLE OF CONTENTS

TABLE OF CONTENTS.....	1
PRESENTATION OF THE MACHINE	3
PRODUCT HIGHLIGHTS	4
CHARACTERISTICS.....	5
ENGINE	6
CHARACTERISTICS.....	7
ENGINE	8
Lubrication/Ignition.....	9
Petrol circuits.....	10
Vacuum pump.	10
ACPH.	11
Electric oil pump.....	11
Exhaust.	11
Carburettor.	12
Pollutant emission control system.....	13
Cooling system.	14
CYCLE PART	15
Chassis.	15
Dimensions and weight.....	15
Brakes.....	16
BODY PANELS	18
Description.....	18
Body component sequence of disassembly.....	19
INSTRUMENT PANEL	20
Multi-function display.....	20
Engine temperature gauge.	20
Self-diagnostic of the temperature gauge.....	21
Fuel gauge self-diagnostic.....	21
Revolution counter.	21
Incidents and remedial measures.....	21
LOCATION OF COMPONENTS.....	22
WIRING DIAGRAM.....	23
Ignition/Oil pump cable. (ACPH)	23



SERVICE SCHEDULE AND COMMISSIONING	24
To be checked at each service.....	24
Service operations.....	25
Time required for maintenance.....	25
SPECIAL TOOLS	26

PRESENTATION OF THE MACHINE

The segment on which "Speedfight3" has been marketed since its launch (SF1 1996-SF2 2000) has considerably changed and today represents approximately 20 % of sales of 50 cc scooters.

Change in customer profile over the the past 3 years.

- No driving license or banned drivers.
- Traffic and parking problem.
- Used instead of a 2nd car.

Typical Speedfight 3 customer.

- Young man aged 14/25 , interested in sports.
- A fan of vehicles with a touch of class, wanting to stand out from the crowd by owning the current top sporty model.



PRODUCT HIGHLIGHTS



- 1. Electronic dashboard with digital screen and rev counter.
- 2. Storage compartment under the saddle for full-face helmet opened from the ignition switch.
- 3. 12 V socket mounted in the storage compartment as standard to power an audio system available as an accessory.
- 4. Sporty rear aileron.
- 5. Folding aluminium footrests.
- 6. Lowered centre of gravity thanks to the under-floor fuel tank.
- 7. 13" wheels.
- 8. Impressive Ø32 hydraulic fork. Shurricane brake disks. Motorcycle-type dual piston radial brake calliper.

CHARACTERISTICS

Engine marking	B1E40QBM (45 km/h version)	B1E40QMB (25 km/h version)
Type	2-stroke single-cylinder. Horizontal cylinder	
Cooling	By a circulation of forced air by means of a turbine on the flywheel magneto	
Bore x stroke	39.94 x 39.8 mm	
Cubic capacity	49 cc	
Max. power output	3 kW at 7100 rpm	1.5 kW at 4500 rpm
Max. torque rating	5800 rpm	3000 rpm
Compression	6 bars at 700 rpm	
Ignition	ACPH	
Spark plug	NGK BR7HS	NGK BPR5HS
Magneto flywheel	90 W	
Fuel supply	TK PZ Ø12 carburettor	
Starter motor	85 W	
Lubrication	Separate lubrication by means of a DELL'ORTO or MIKUNI electric pump driven by the Oil Pump Control Ignition Unit (ACPH)	
Transmission	By 2 variable pulleys and V-type belt	
Clutch	Centrifugal automatic	
Exhaust	With catalytic system and pulsair valve	
Standards	Euro2	

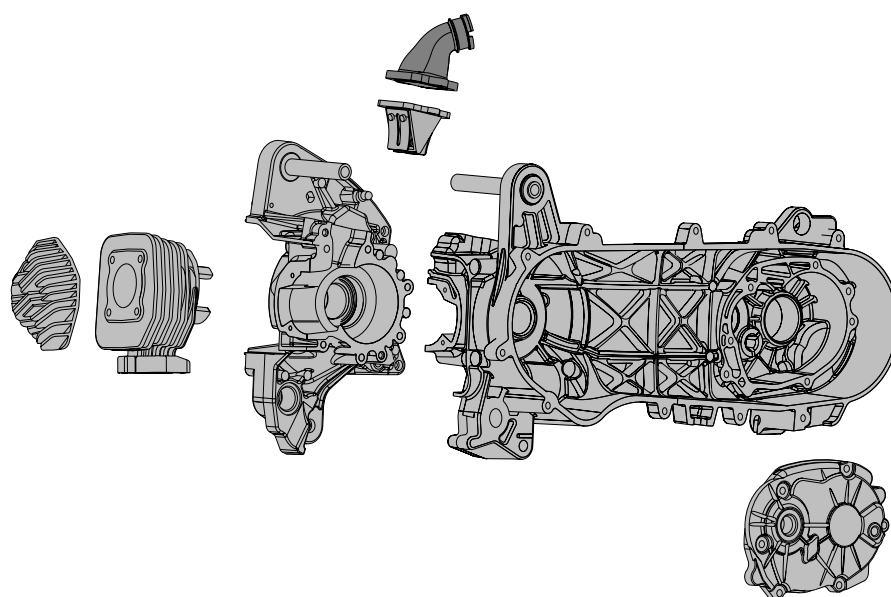
ENGINE

2-stroke single-cylinder. Air cooling.

Cast iron cylinder.

Direct intake via valves into the crankcase.

Cast aluminium alloy engine crankcase.



CHARACTERISTICS

Engine marking	B1E40MB
Type	2-stroke single-cylinder. Horizontal liquid-cooled cylinder
Cooling	Cooling by pump driven water circulation driven by the rotor of the flywheel magneto
Bore x stroke	39.94 x 39.8 mm
Cubic capacity	49 cc
Max. power output	3.8 kW at 7300 rpm
Max. torque rating	6000 rpm
Compression	6 bars at 700 rpm
Ignition	ACPH
Spark plug	NGK CR7EB
Magneto flywheel	90 W
Fuel supply	TK PZ 15 carburettor
Starter motor	85 W
Lubrication	Separate lubrication by means of a DELL'ORTO or MIKUNI electric pump driven by the Oil Pump Control Ignition Unit (ACPH)
Transmission	By 2 variable pulleys and V-type belt
Clutch	Centrifugal automatic
Exhaust	With catalytic system and pulsair valve
Standards	Euro 2

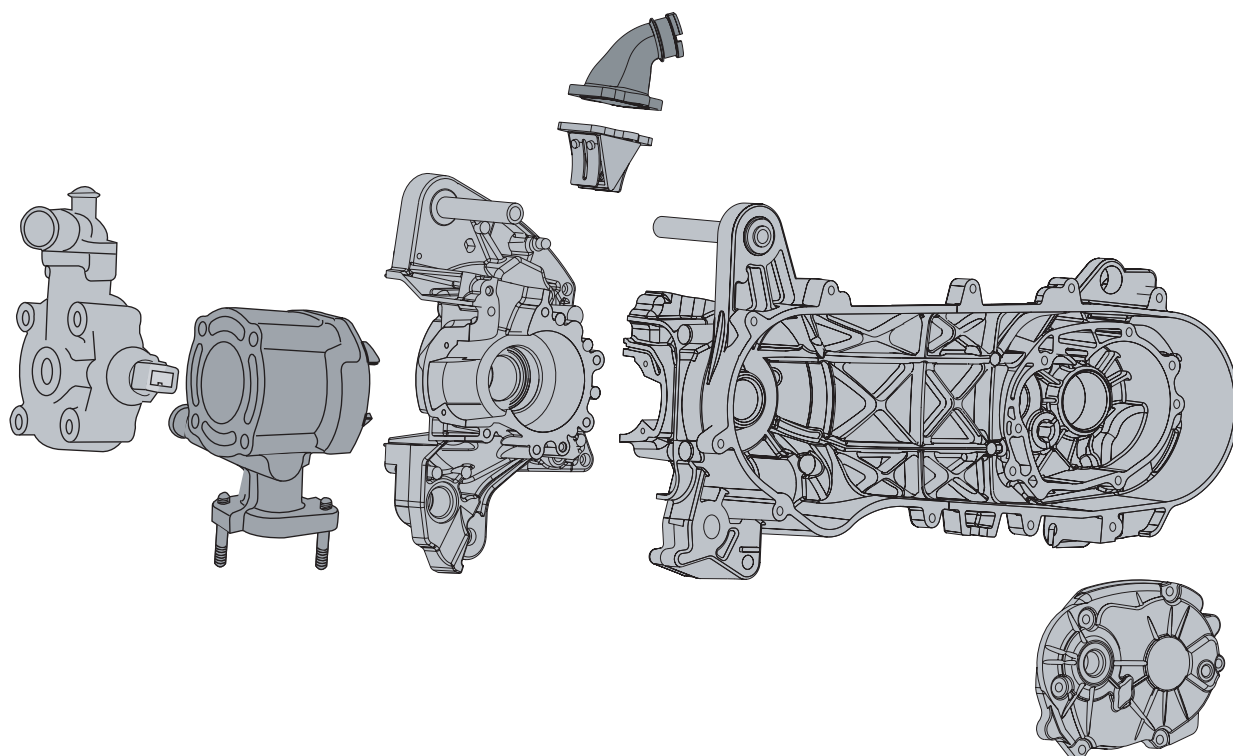
ENGINE

2-stroke single-cylinder. Horizontal liquid-cooled cylinder.

Cast iron cylinder.

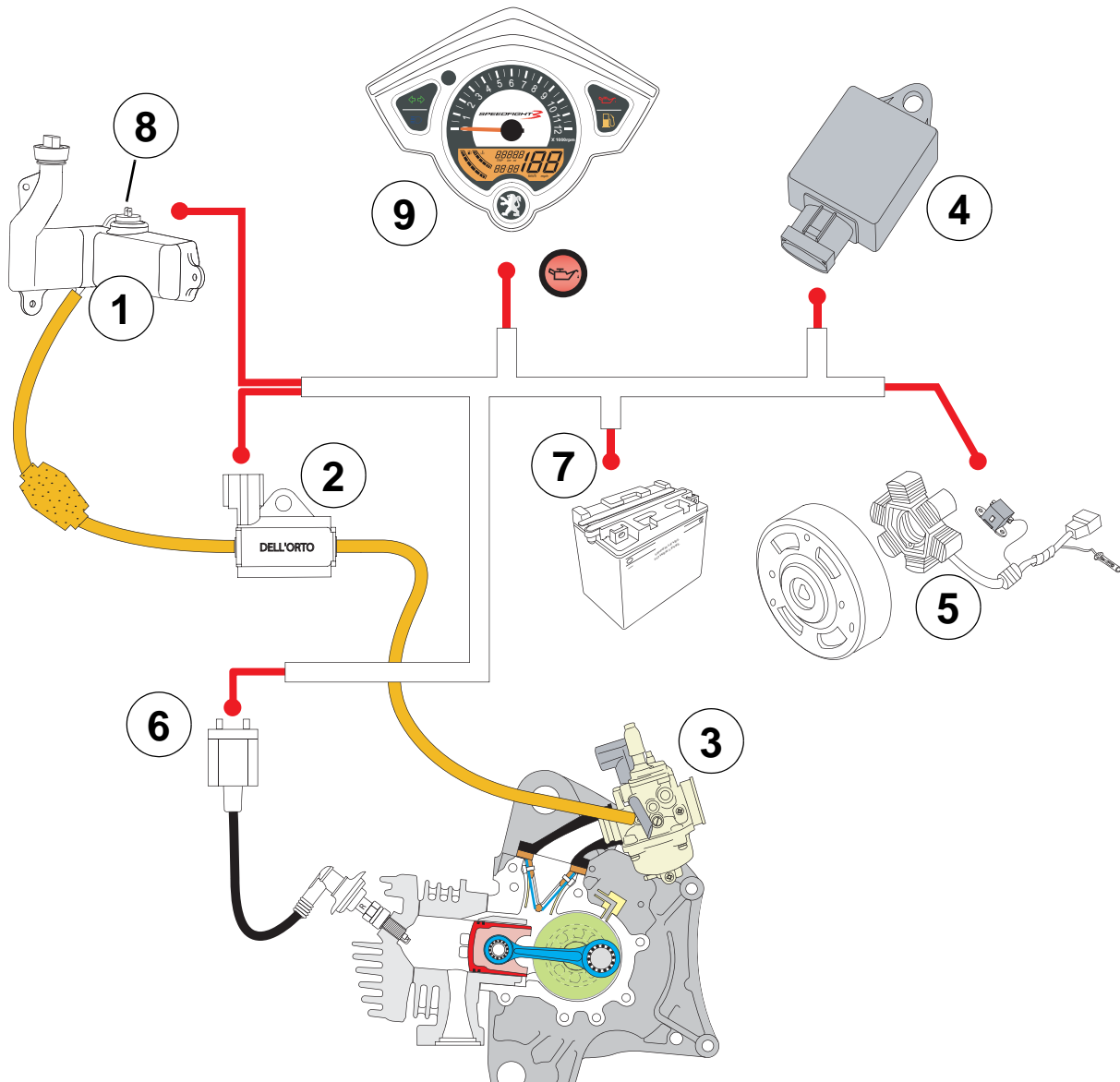
Direct intake via valves into the crankcase.

Cast aluminium alloy engine crankcase.



■ Lubrication/Ignition.

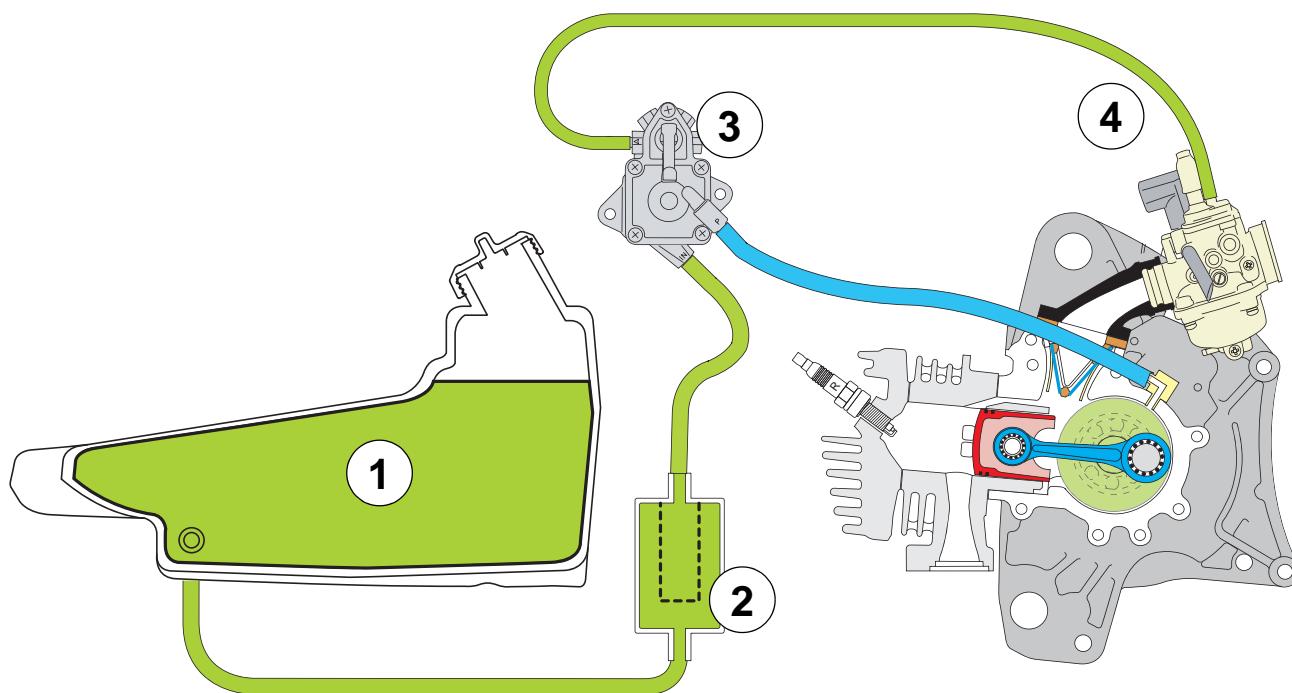
- Separate lubrication by an electric pump driven by the Oil Pump Control Ignition Unit.
- 1.1 l tank capacity.



- | | |
|-----------------------|--|
| 1. Oil tank. | 6. HT coil. |
| 2. Electric oil pump. | 7. Battery. |
| 3. Carburettor. | 8. Oil level indicator. |
| 4. ACPH. | 9. Low oil level and oil pump electric diagnostic warning light. |
| 5. Ignition sensor. | |

■ **Petrol circuits.**

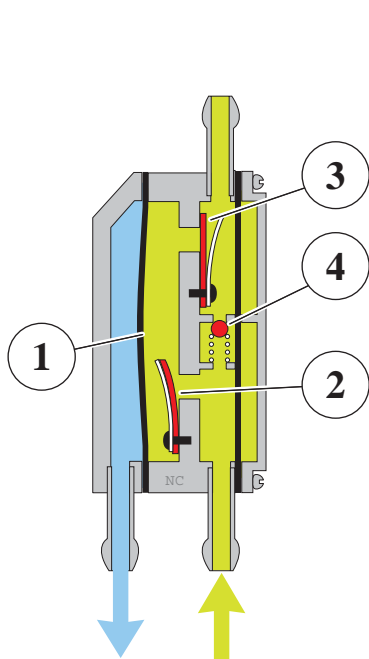
- 8 l tank capacity.



- 1. Fuel tank.
- 2. Petrol filter.

- 3. Vacuum pump.
- 4. Carburettor.

■ **Vacuum pump.**



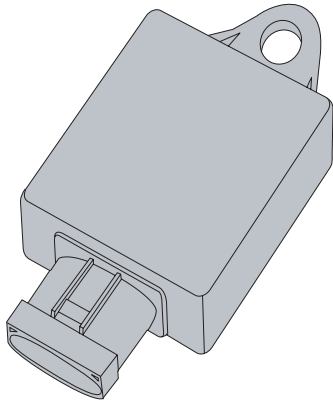
Operation.

Under the effect of pulses, the diaphragm (1) pumps in and out the fuel by means of reed valves (2) and (3).

Safety.

When the ball (4) lifts, fuel can flow into the pump when the needle valve closes inside the carburettor or when there is a boost pressure at the fuel pump outlet.

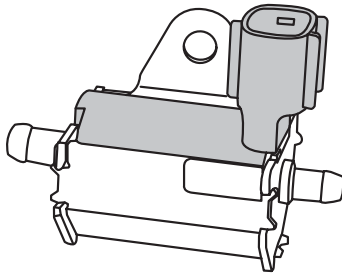
■ ACPH.



By processing the data received by the ignition sensor, the control unit provides the following functions:

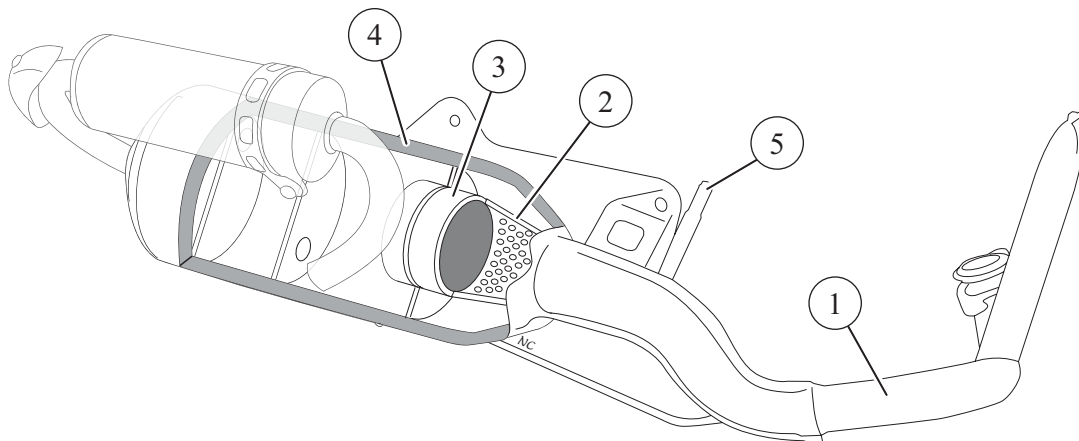
- Ignition.
- Calculated quantity of injected oil.
- Diagnostic of the system by lighting the oil warning light on the instrument panel.
- Protection of the engine in case of oil pump failure by ignition cut-off.

■ Electric oil pump.



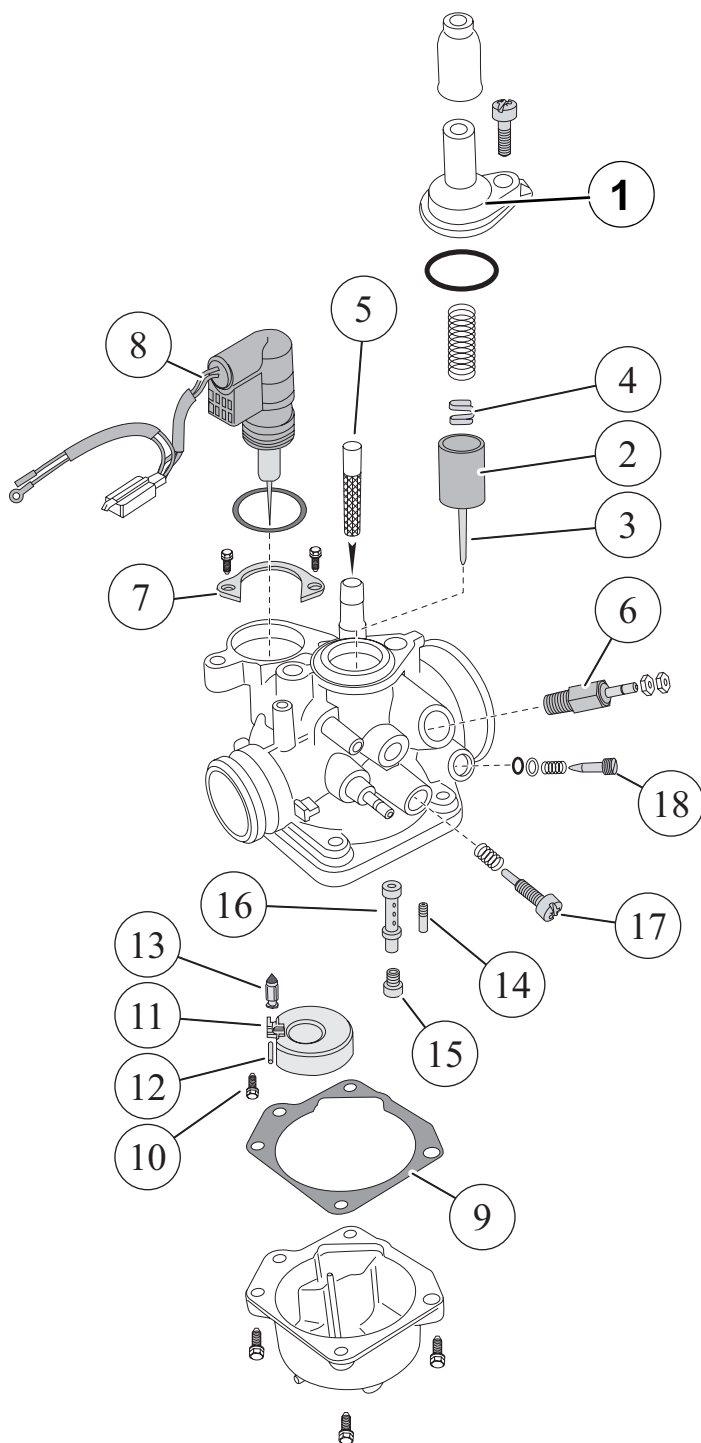
The oil pump which is governed by the control unit sends oil to the carburettor's venturi. The flow depends on the engine's running speed.

■ Exhaust.



1. Exhaust pipe.
2. Catalyser cone.
3. Catalytic block.
4. Heat insulation.
5. Injected air intake.

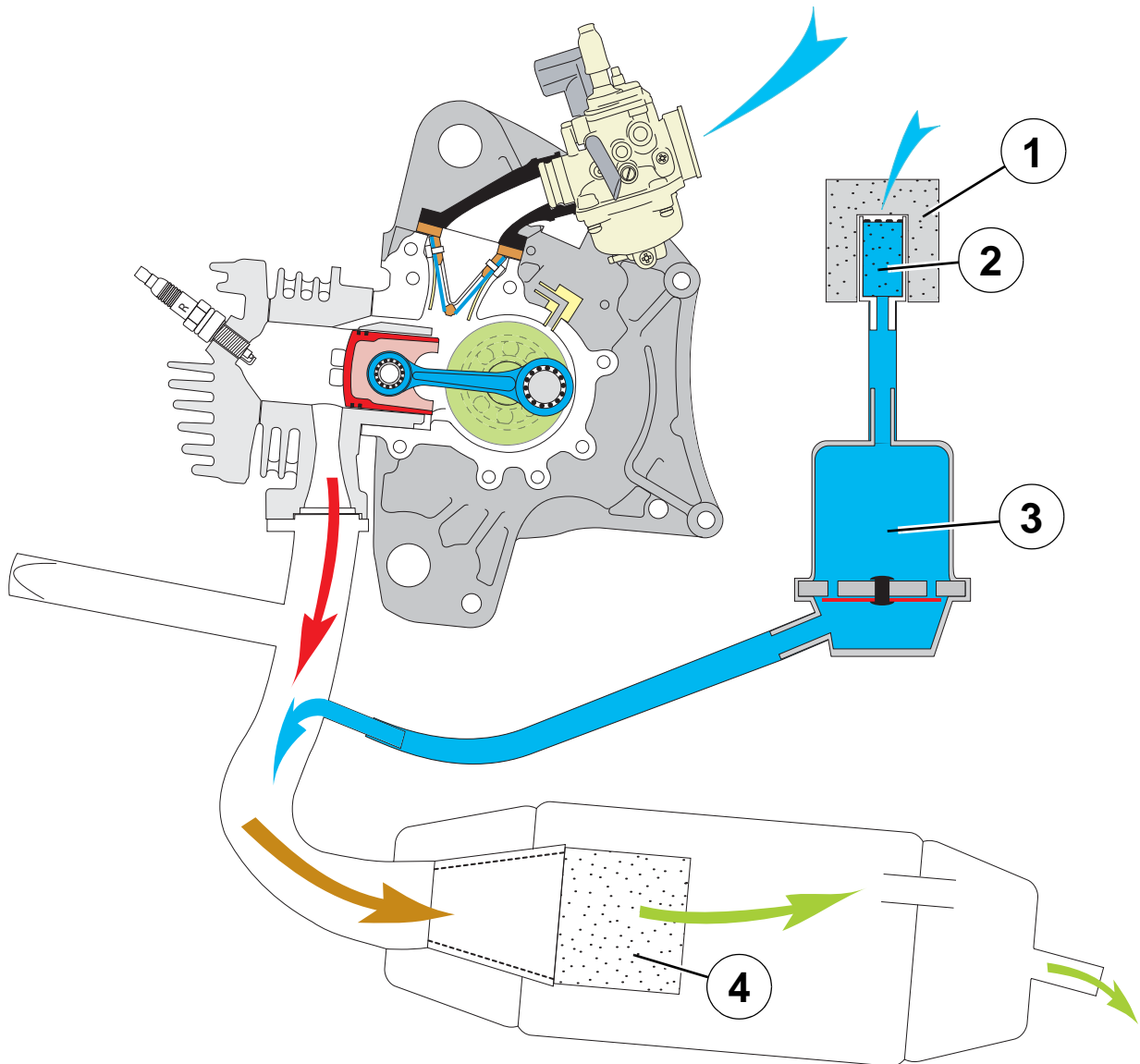
■ Carburettor.



1. Carburettor chamber cap.
2. Piston.
3. Needle.
4. Clips.
5. Petrol filter.
6. Heater element (LC).
7. Starter clamping plate.
8. Choke.
9. Float chamber gasket.
10. Float pin screw.
11. Float.
12. Float pin.
13. Needle valve.
14. Idle jet.
15. Main jet.
16. Venturi.
17. Idle screw.
18. Mixture screw.

■ Pollutant emission control system.

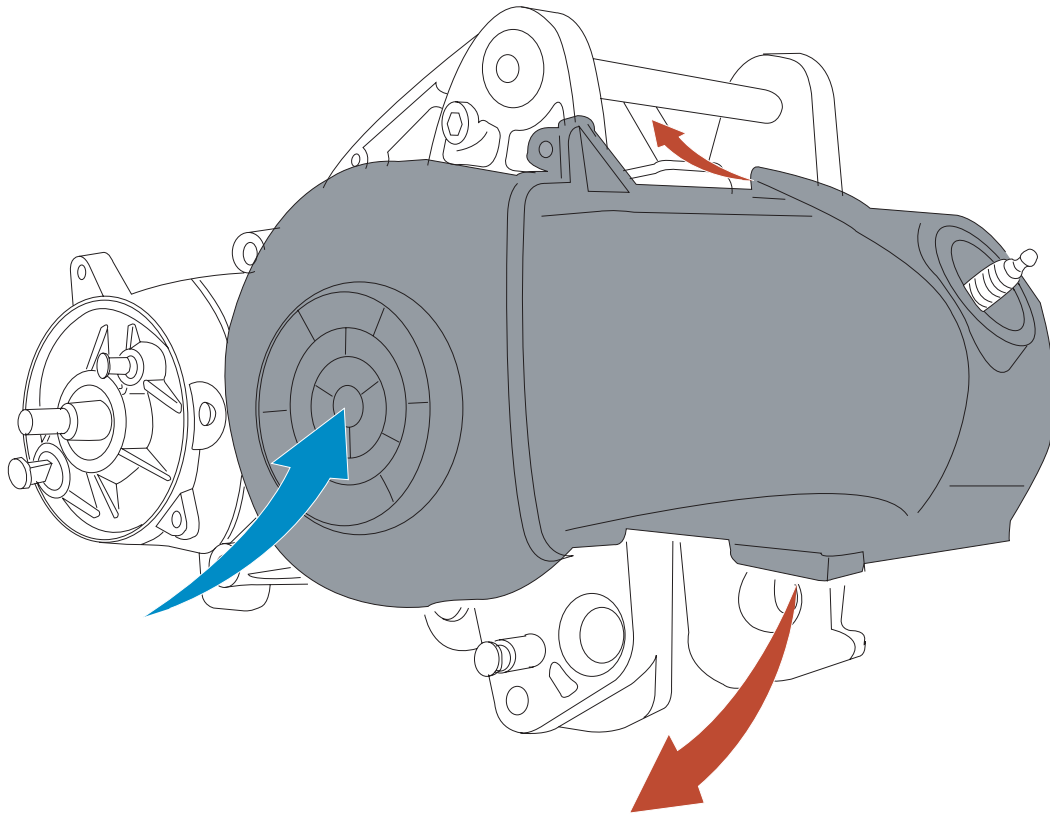
This is a valve system, mounted on the exhaust pipe which uses the vacuum created in the primary pipe by the passage of the exhaust gases to suck in fresh air, thus improving post-combustion and therefore reducing the amount of pollutant released.



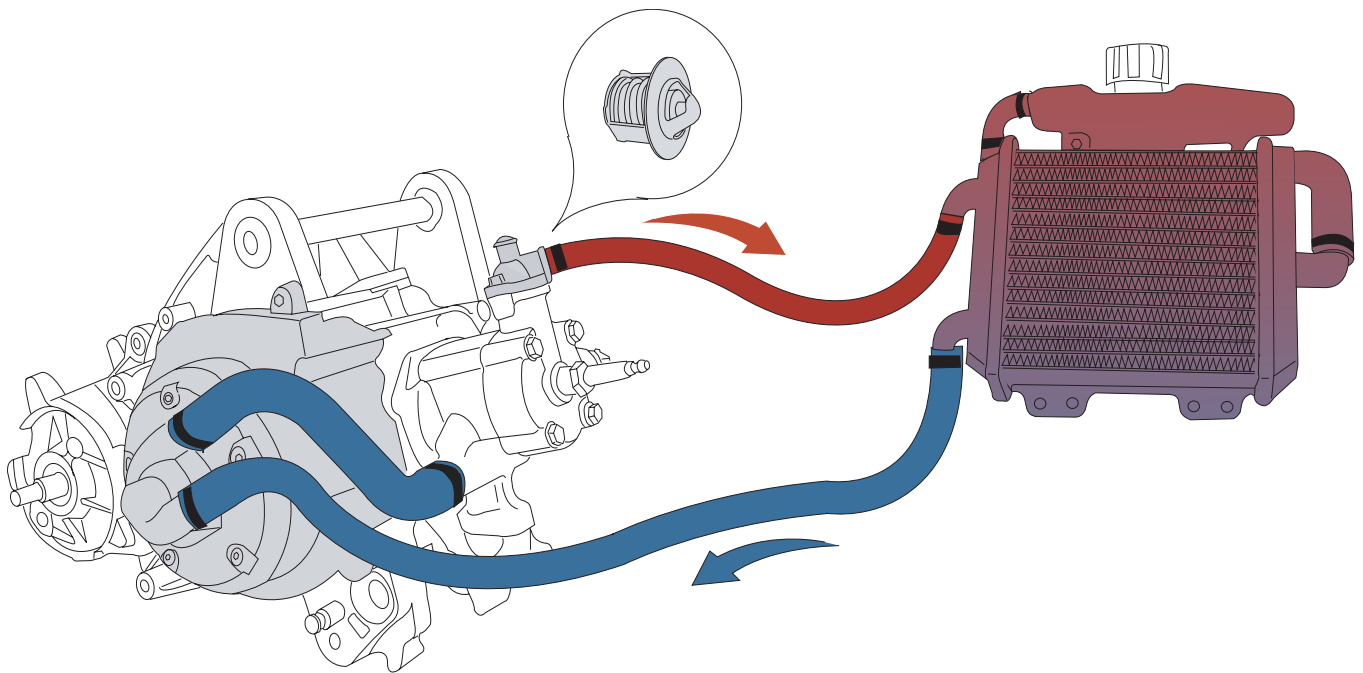
1. Silencer.
2. Primary filter.
3. Pulsair reed valve.
4. Catalytic block.

■ Cooling system.

By a circulation of forced air by means of a turbine on the flywheel magneto.



Cooling by pump driven water circulation driven by the rotor of the flywheel magneto.
1.3 l capacity.

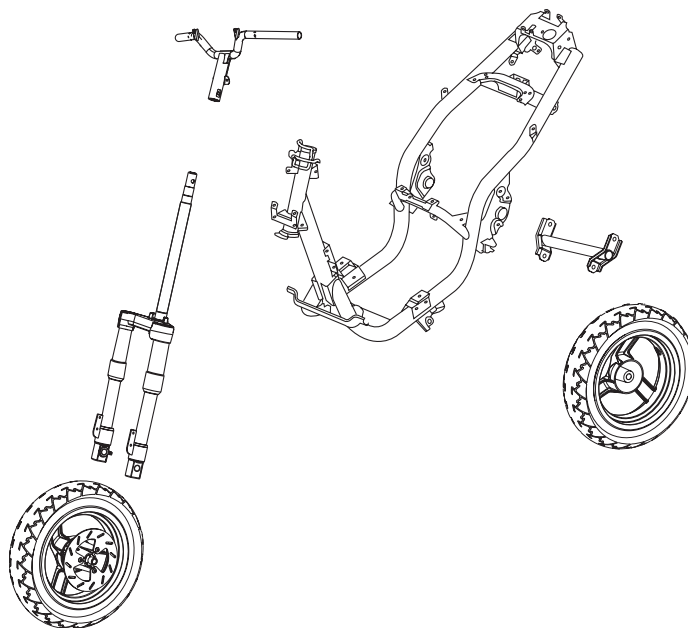


CYCLE PART
■ Chassis.

Chassis	Steel tube
Front suspension	Semi-hydraulic Ø 32 mm fork composed of two springs and a cartridge Travel: 75 mm
Rear suspension	Combined spring and hydraulically-damped shock absorber. Travel: 68 mm
Front tyre	130/60 - 13
Rear tyre	130/60 - 13
Front tyre pressure	1.8 bars
Rear tyre pressure	2 bars

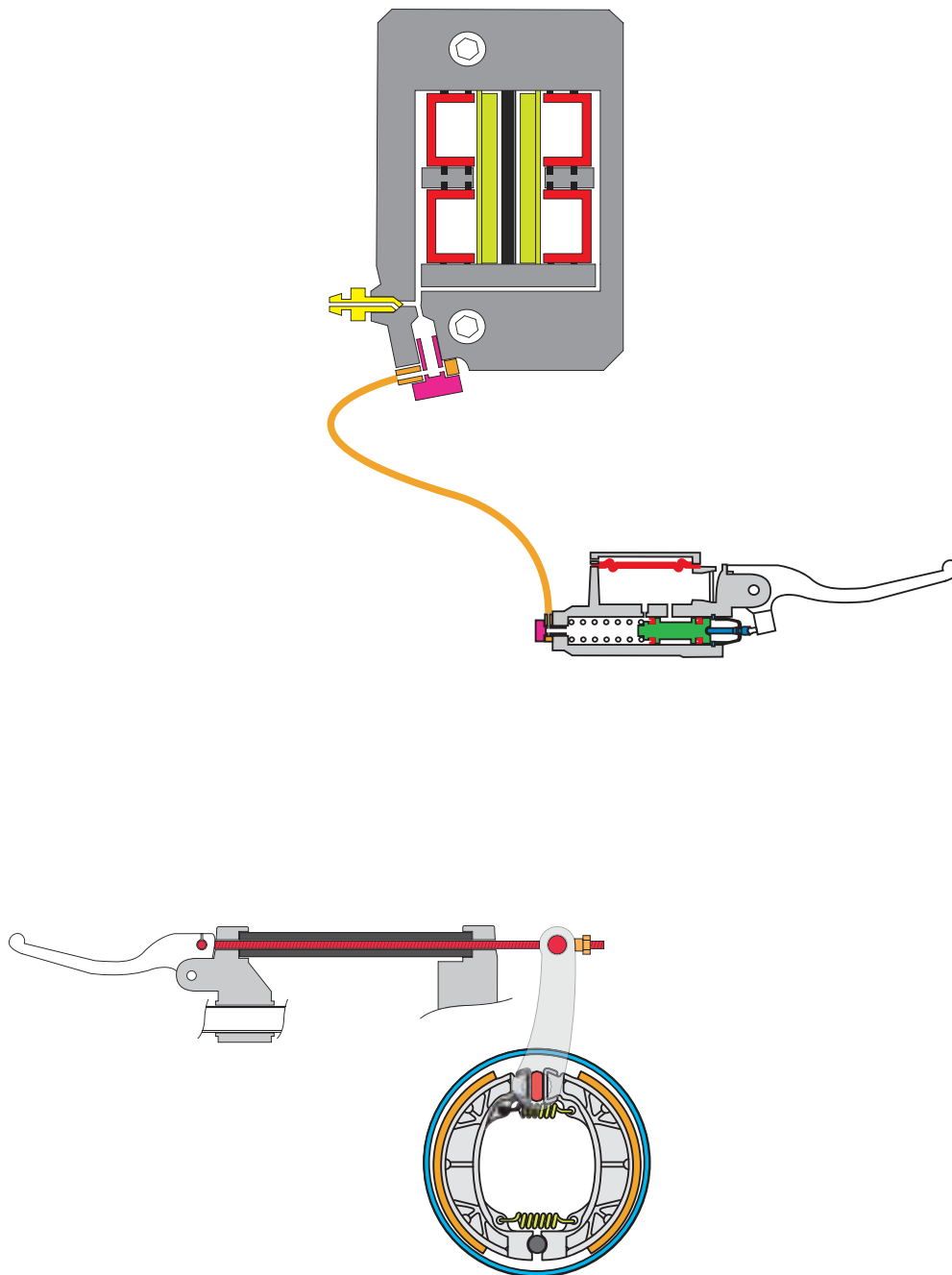
■ Dimensions and weight.

Length	1895 mm
Width	700 mm
Height (without rear-view mirrors)	1120 mm
Saddle height	800 mm
Wheelbase	1290 mm
Weight	100 kg (LC) 97 kg (AC)

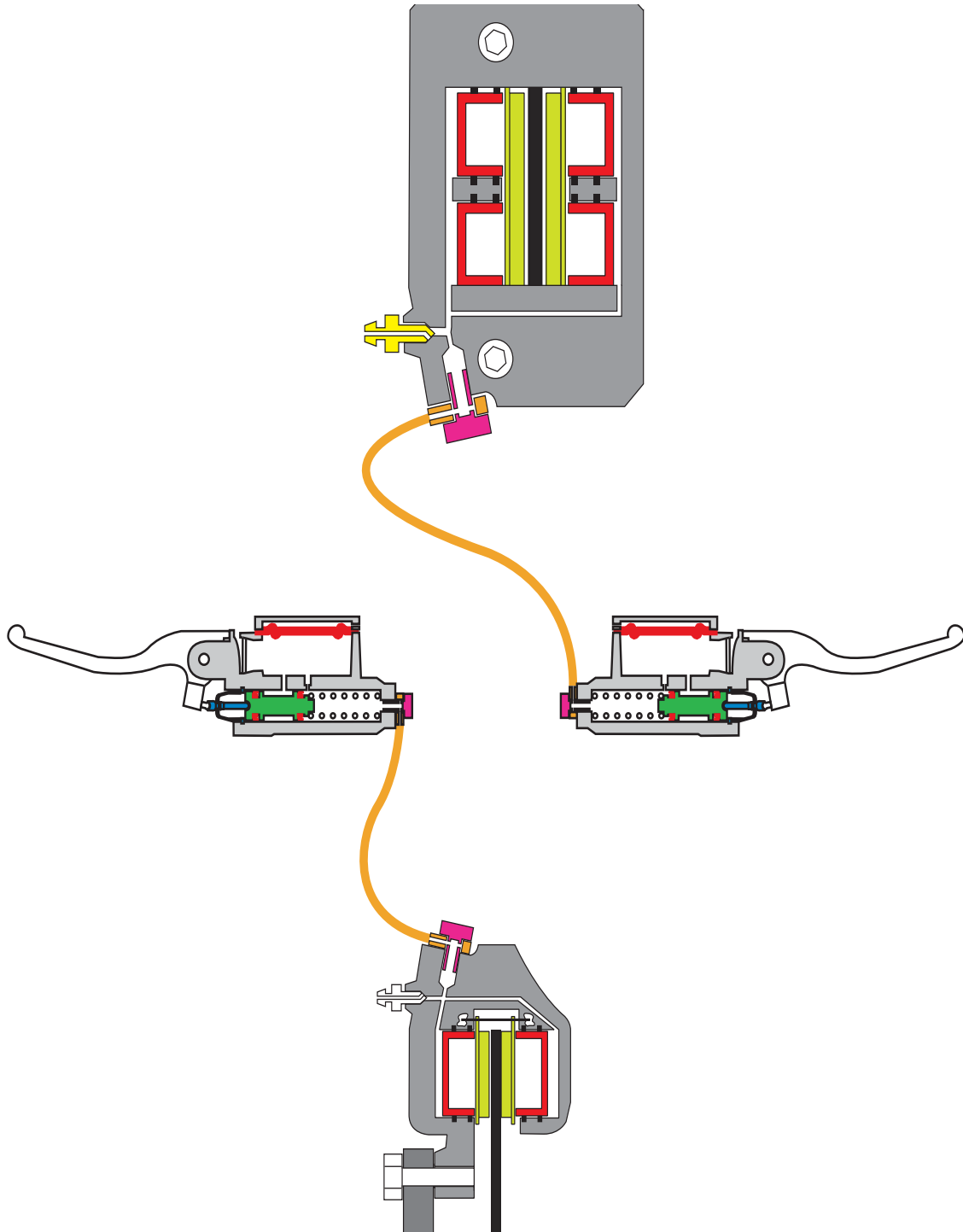


■ Brakes.

Speedfight3 AC	
Front brake	Rear brake
Single disc type, hydraulic control	cable-controlled, single cam drum type
Front disc diameter 215 mm, thickness 3.5 mm	Brake drum diameter: 110 mm
Dual piston radial calliper	Brake lining thickness

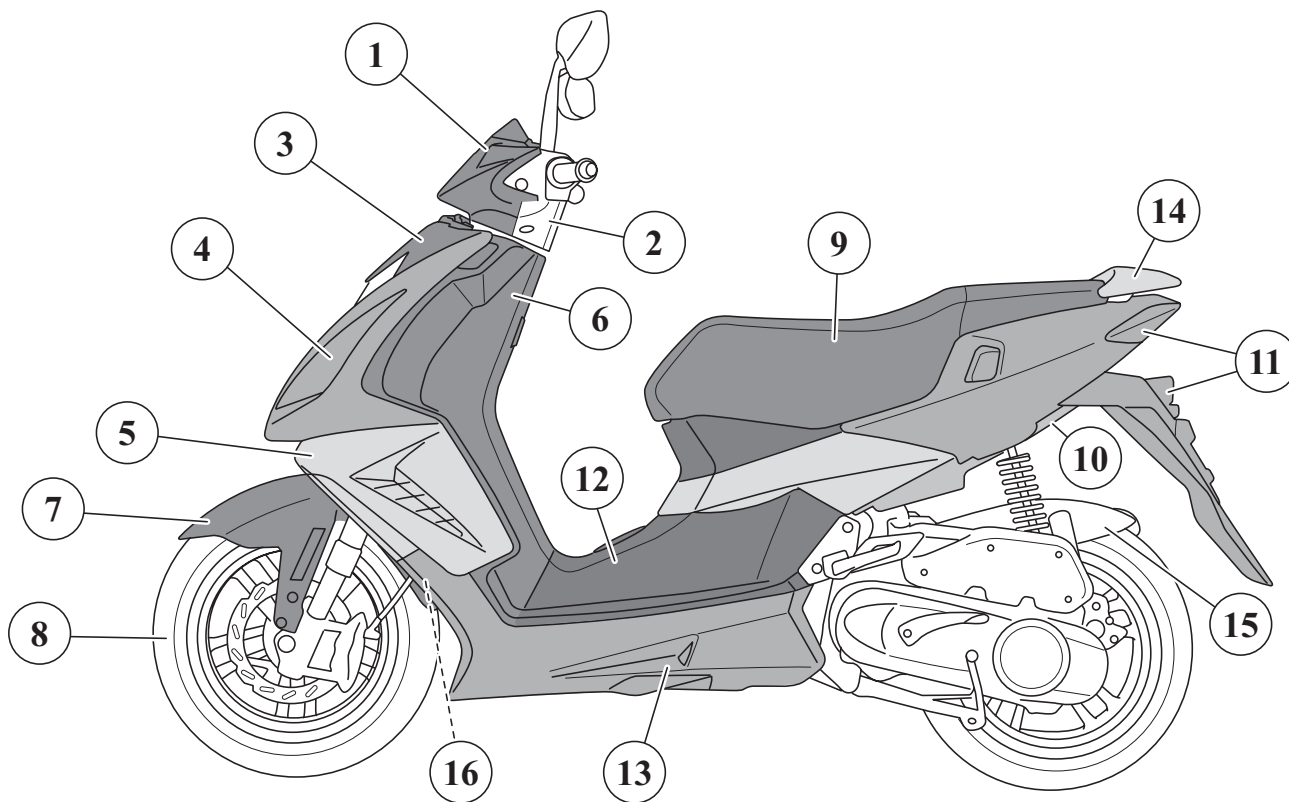


Speedfight3 LC	
Front brake	Rear brake
Single disc type, hydraulic control	
Front disc diameter 215 mm, thickness 3.5 mm	Rear disc diameter 196 mm, thickness 3.5 mm
Dual piston radial calliper	Fixed calliper with 2 pistons



BODY PANELS

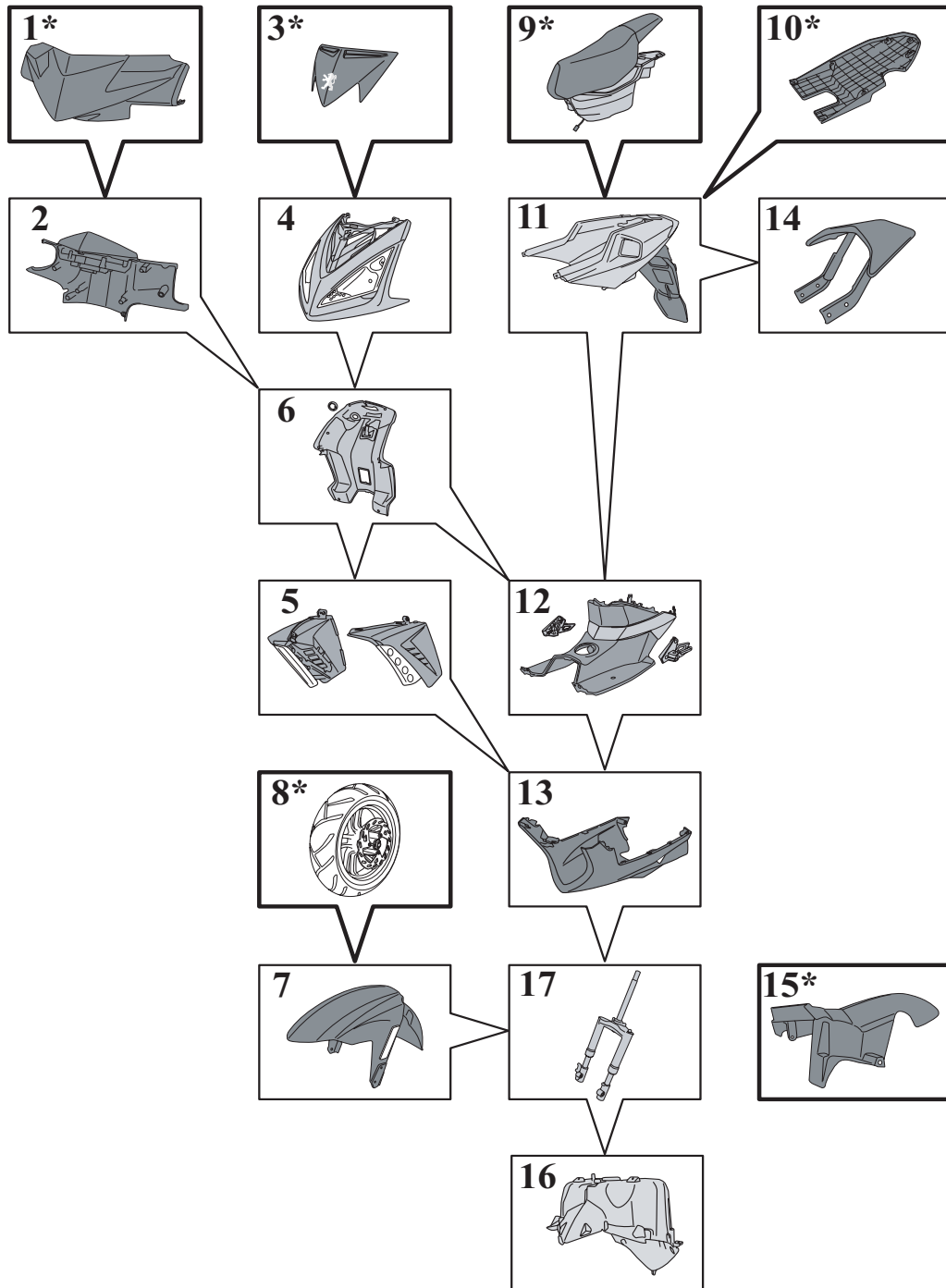
■ Description



1. Handlebar front fairing.
2. Handlebar rear fairing.
3. Front top cover panel.
4. Legshield top panel.
5. Front lower legshields.
6. Rear shield.
7. Front mudguard.
8. Front wheel.

9. Saddle and storage compartment.
10. Lower fairing.
11. Rear panels.
12. Footboard.
13. Bottom panel.
14. Grab handle.
15. Rear mudguard.
16. Mudguard.

■ Body component sequence of disassembly.

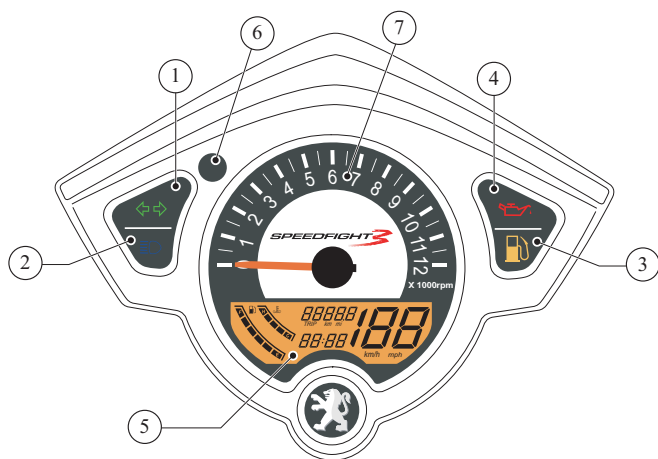


1. Handlebar front fairing.
2. Handlebar rear fairing.
3. Front top cover panel.
4. Legshield top panel.
5. Front lower legshields.
6. Rear shield.
7. Front mudguard.
8. Front wheel.
9. Saddle and storage compartment.

10. Lower fairing.
11. Rear panels.
12. Footboard.
13. Bottom panel.
14. Grab handle.
15. Rear mudguard.
16. Mudguard.
17. Fork.

* This item may be removed on its own.

INSTRUMENT PANEL



1. Direction indicator warning light.
2. Main beam control.
3. Warning light "reserve".
4. Low oil level and oil pump electric diagnostic warning light.
5. Multi-function display.
6. Display control knob.
7. Revolution counter.

When the ignition is witched on, the tell-tale lights go on for 3 seconds to check they are functioning correctly.

■ **Multi-function display.**



When the ignition is turned on, the different functioning tests are carried out automatically for 3 seconds.
Test of the display unit segments (time 3s) by displaying all of the display elements.

■ **Engine temperature gauge.**

When the ignition is switched on, the instrument panel checks that the engine temperature sensor is present and displays the engine temperature ideogram.



When the engine temperature is too high, all segments are switched on and the last flashes. The ideogram of the display blinks.

■ Self-diagnostic of the temperature gauge.

After switching on the ignition. If the temperature gauge circuit is cut or short circuited, the indicator LEDs go on and off one after the other as long as the defect remains.

If $R > 23000 \Omega$ or $R < 4 \Omega$.

■ Fuel gauge self-diagnostic.

If the fuel gauge circuit is cut or short-circuited, the indicator LEDs come one briefly one after the other, as long as the fault remains. If $R > 101 \Omega$ or $R < 3 \Omega$.

■ Revolution counter.

Speed sensor-controlled analog tachometer.

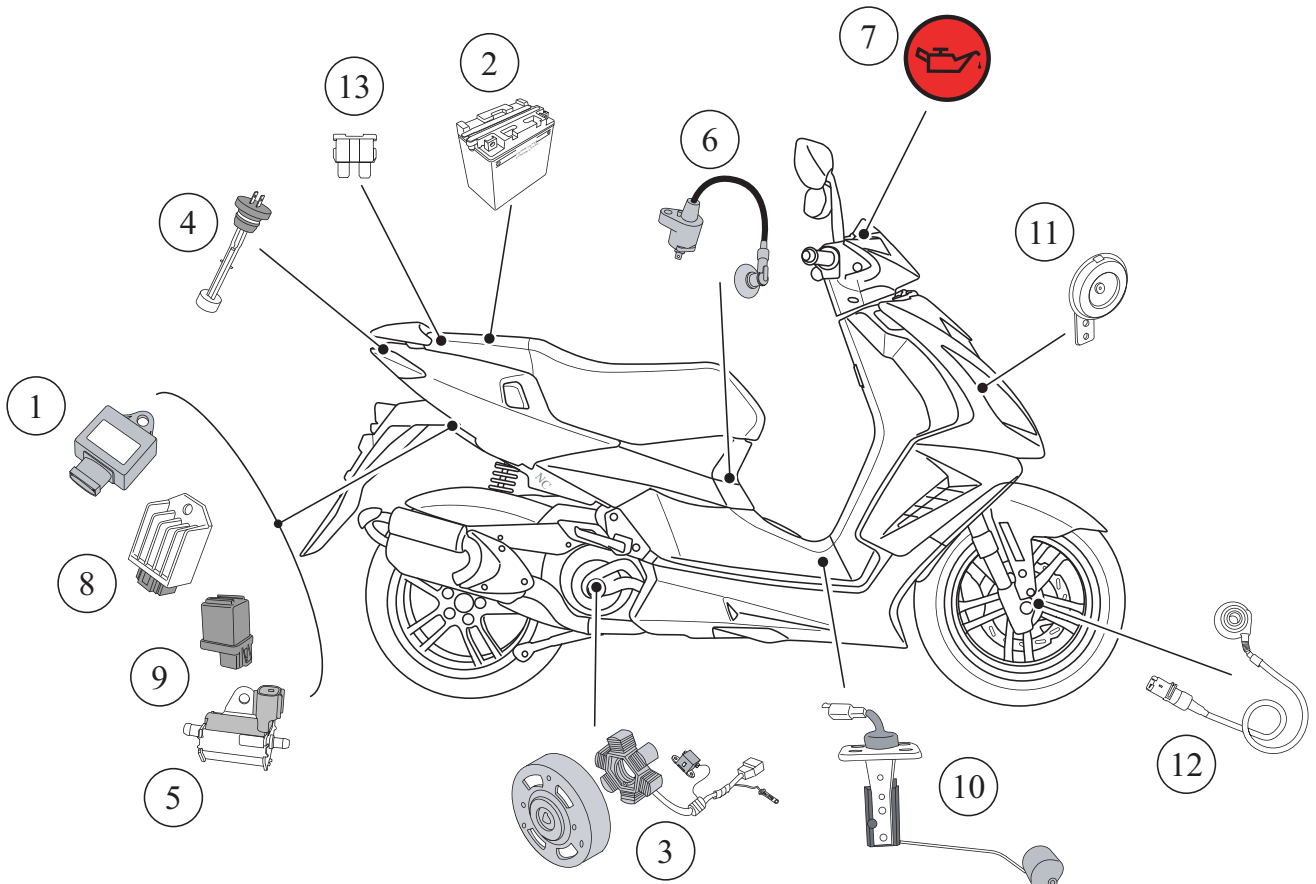
When the ignition is switched on, the needle sweeps across the dial and returns to zero.

The tachometer will not indicate any value if the speed is lower than 1000 rpm.

■ Incidents and remedial measures.

If the rev counter needle is unstable, or suddenly drops, check the engine speed sensor gap: 0.7 mm.

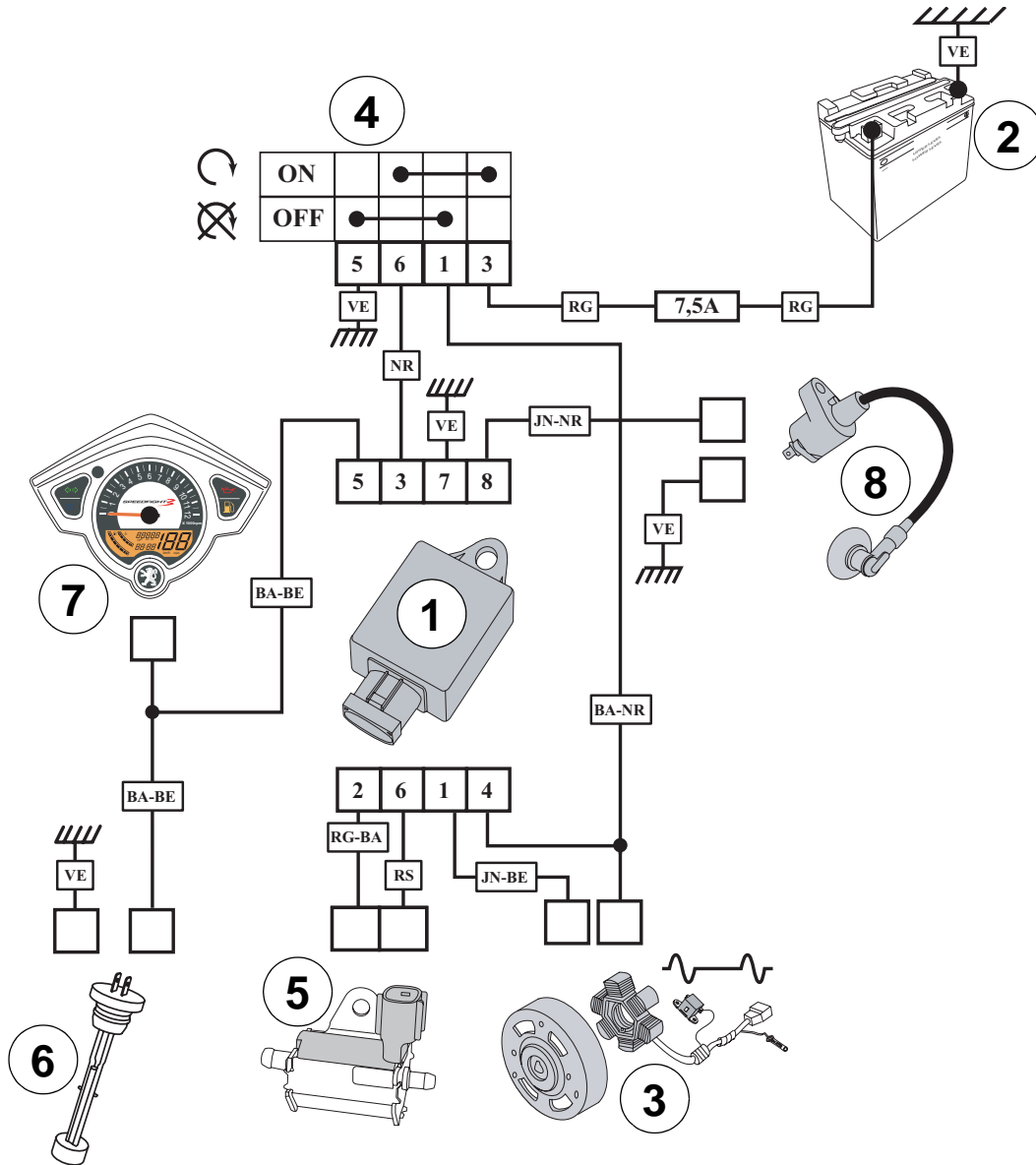
LOCATION OF COMPONENTS



- | | |
|-------------------------|---------------------------------|
| 1. ACPH. | 7. Low oil level warning light. |
| 2. Battery. | 8. Regulator. |
| 3. Magneto flywheel. | 9. Starter motor relay. |
| 4. Oil level indicator. | 10. Fuel gauge. |
| 5. Oil pump. | 11. Horn. |
| 6. HT coil. | 12. Speed sensor. |

WIRING DIAGRAM

■ Ignition/Oil pump cable. (ACPH)



- | | |
|------------------------------------|---------------------------------|
| 1. ACPH (Ignition/Oil pump cable). | 5. Oil pump. |
| 2. Battery. | 6. Oil level indicator. |
| 3. Ignition sensor. | 7. Low oil level warning light. |
| 4. Ignition switch. | 8. Ignition coil. |



SERVICE SCHEDULE AND COMMISSIONING

Heavy duty servicing is for vehicles used under "harsh" conditions: door-to-door deliveries, intensive urban use (courier), short journeys with engine cold, dusty areas, ambient temperature over 30°C.

Service operations	500 kms or 1 months	Every 10000 kms	Every 20000 kms
Heavy duty servicing	500 kms	Every 5000 kms	Every 10000 kms

■ To be checked at each service.

Steering column play.	V	V	V
Wheel bearing play.	C	C	C
Throttle cable play.	V	V	V
Operation of electrical equipment.	V	V	V
Condition of front and rear brake hydraulic controls ^a .	C	C	C
Brake fluid level.	V	V	V
Brake pad wear.	C	C	C
Rear brake lining wear ^a .	C	C	C
Condition of petrol pipes.	C	C	C
Condition of oil pipes.	C	C	C
Tyre condition, pressure and wear.	C	C	C
Condition of the front suspension. Condition of the rear suspension.	C	C	C
Battery electrolyte level. Battery charge.	V	V	V
Coolant level ^a .	V	V	V
2 stroke engine oil level.	V	V	V
Headlight height adjustment.	V	V	V
Tightness of nuts and bolts.	V	V	V
Overall operation. Road test.	V	V	V

V: Check, clean, adjust.

R: Change.

G: Check, clean, lubricate.

N: Clean.

C: Inspect and change if necessary.

* Depending on equipment.

a. Depending on model

Service operations	500 kms or 1 months	Every 10000 kms	Every 20000 kms
Heavy duty servicing	500 kms	Every 5000 kms	Every 10000 kms

■ **Service operations.**

Spark plug. Fluid cooling system: To be replaced once every 5000 kms		R	R
Air filter.		R	R
Drive pulley bearings and guides.		R	R
Transmission belt.		R	R
Driven pulley caged needle bearing.		G	G
Kick starter mechanism.		G	G
Check and remove carbon. (Cylinder head, Exhaust port) ^b Replace the piston and piston segments.		N+C	N+R
Setting the carburettor		V	V
Joints. (Central stand, Brake levers).		G	G
Petrol filter.			R
Petrol pipe.		R Once every 5 years	
Coolant.		R Once every 5 years	
Brake fluid.		R Once every 2 years	

■ **Time required for maintenance**

Code	9100	9400	9600
Servicing time in tenths of an hour (0.5 h = 30 min)	0.8	3.1	4.1

b. The need to remove carbon may be determined by checking the quantity of carbon in the cylinder exhaust port.

V: Check, clean, adjust.

R: Change.


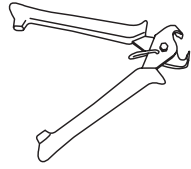
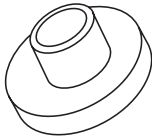
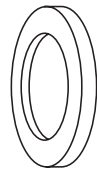
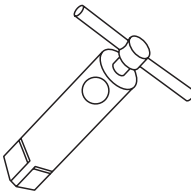
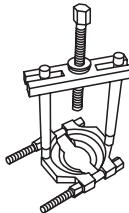
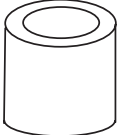
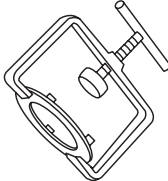
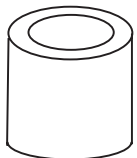
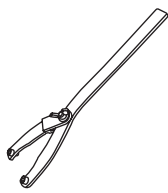
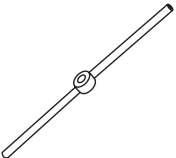
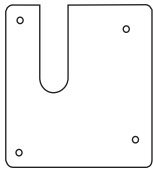
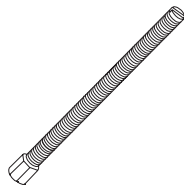
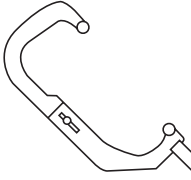
G: Check, clean, lubricate.

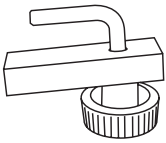
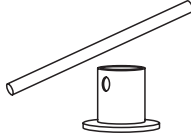
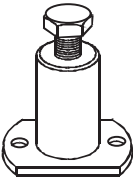
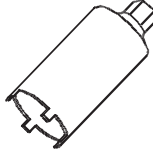
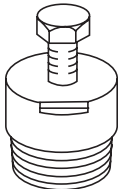
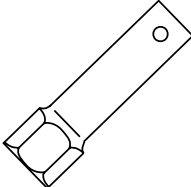
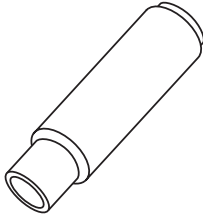
N: Clean.

C: Inspect and change if necessary.

* Depending on equipment.

SPECIAL TOOLS

	Tool N°	Designation	Used with		Tool N°	Designation	Used with
	64706	Casing extractor and opening tool	754006 750069		750539	Tie-wrap pliers	
	64710	Shouldered centering tool	64706		750808	Thrust washer	64706
	64765	Engine mount	755982		755585	Bearing extractor tool	
	68007	Protective end-piece small model	755985		752127	Clutch compression tool	756725
	69098	Protective end-piece large model	64706		752237	Adjustable pin wrench	
	69104	Pin nut	750069		754006	Modified casing opening plate	64706
	750069	Pin Ø10 pitch 125	69104		755982	Engine mount adapter	64765

	Tool N°	Designation	Used with		Tool N°	Designation	Used with
	755996	Hose clamp			756725	38 mm pipe wrench	752127
	755983	Casing opening tool	68007		757860	Steering tool	
	755985	Flywheel puller	68007		766062	Spark plug spanner	
	756668	Crank assembly lip seal tool					







P/N SF3.001.03/2009.GB

Peugeot Motocycles is constantly improving its vehicles. It therefore reserves the right to remove, modify or add any reference mentioned in this manual.

DC/APV 07/2009 (non contractual pictures)

